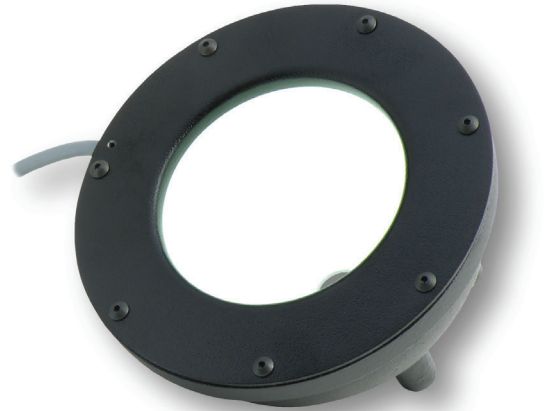



Product Highlights

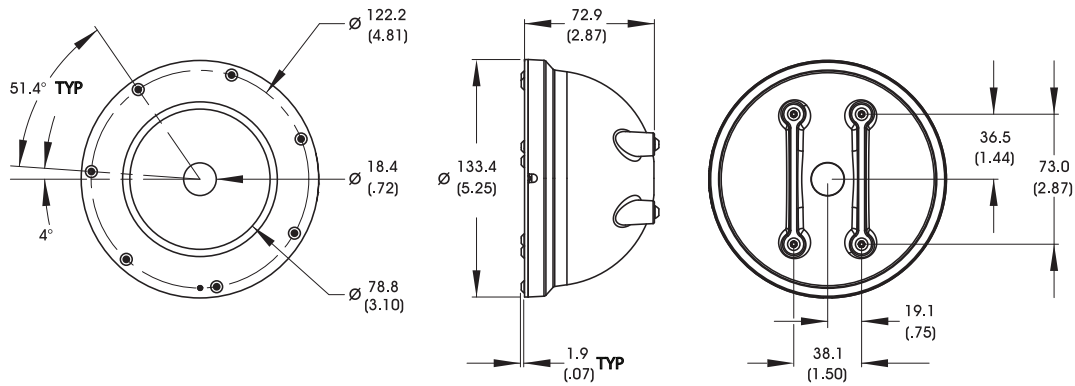
- Diffuse illumination for the inspection of specular objects
- Rugged metal construction



General Specifications

Electrical Specifications	Color	24v Current	All Other Controls
	850	0.35 A	0.166 A Max
	WHI	0.85 A	0.606 A Max
	470, 530, 625, RGB	0.85 A	0.606 A Max
Normal Operating Temperature	0 - 60°C		
Weight (g)	453.6 g (16 oz)		
Standard Cable Information	Up to 2 meters (80") long - 105°C rated PVC jacket, foil shield with drain.		
Photobiological Risk Factor IEC 62471	Exempt Applicable Wavelengths: 850 Group 1 (Low-Risk) Applicable Wavelengths: 470, 530, 590, 625, WHI		
Compliance			
IP Rating	Not Rated		
Lumen Maintenance	L70 = 50,000 hours		

Mechanical Specifications



DIMENSIONS ARE IN MILLIMETERS (INCHES)

Part Number Key

Model	—	Spectral Wavelength	Connector/ Control	—	Alternative Connector
DL194	—	XXX	XX	—	XXX
DL194		(blue) 470 (green) 530 (red) 625 (infra-red) 850 (all color) RGB (white) WHI	C1 C2 C5 IC ³ I3 ³ 24v ²		M12 ¹
Ex: DL194-470C5 DL194-625I3-M12			¹ Available with IC, I3 and 24v options only ² Not available in IR ³ Not available in RGB		

Stock Product: *shipped next day*

DL194-625IC
DL194-WHIIC

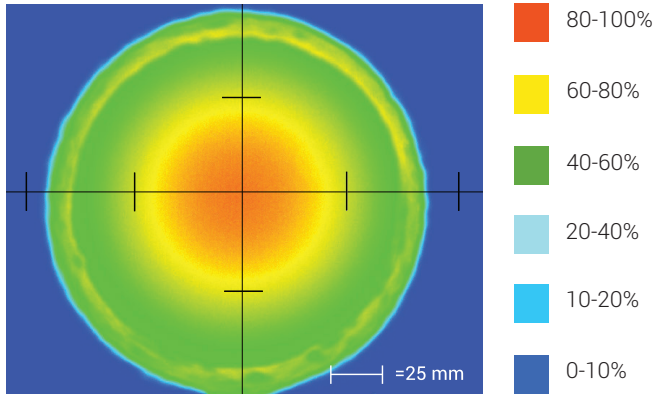
Build to Order: *shipped in two weeks*

Connector | Control Options

C1 Connector	C2 Connector	C5 Connector	IC	I3	I3S	24
For use with: DCS Series Controllers	For use with: Legacy Controllers (Not recommended for new applications)	For use with: Pulsar 320 Strobe Controller.	Continuous in-line controller Powered with: 24V power supply	Combination strobe/continuous in-line controller Powered with: 24V power supply	Default-OFF strobe/continuous in-line controller Powered with: 24V power supply	Flying/tinned leads Powered with: 24V power supply

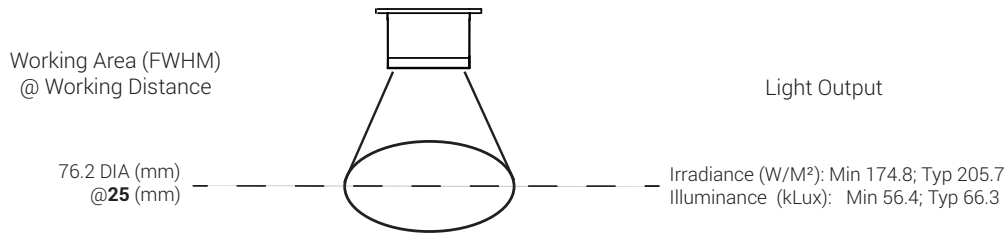
Optical Performance

Intensity Distribution



Optical measurement taken using DL194-WHIIC @ 25 mm

Area of Illuminance & Intensity



Operation and Wiring

ICS 2 (IC)

Pin (M12)	Function	Wire Color
1	+24 VDC	Brown
2	GHI	White
3	GND	Blue
4	GLO	Black

ICS 3 (I3 and I3S)

Pin (M12)	Function	Wire Color
1	+24 VDC	Brown
2	Reserved	White
3	GND	Blue
4	PNP/Active High Trigger	Black
5	0-10 VDC Analog Control	Gray

24 Volt

Pin (M12)	Function	Wire Color
1	+24 VDC	Brown
2	N/A	White
3	GND	Blue
4	N/A	Black

Optional M12 Pinout

