



- Ai** 0 - 100% intensity control
- Ai** For use with lights built with the inline Current Source after 3/1/2012

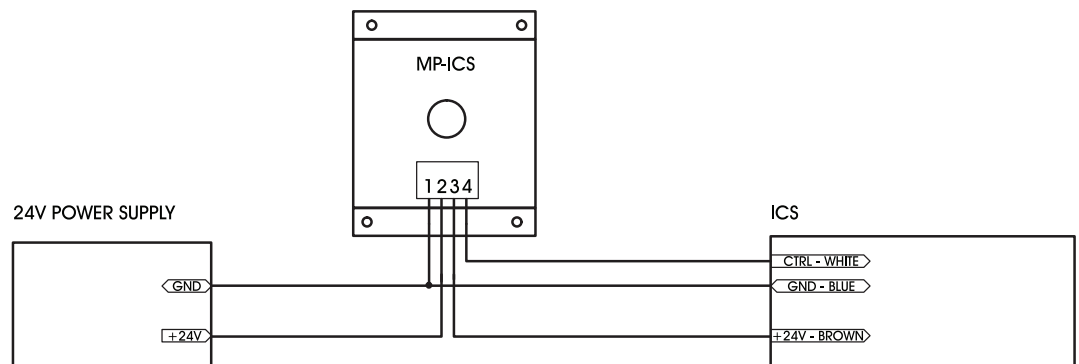
NOT COMPATIBLE with EL137, EL138, EL167, and EL168 "IC" Lights

### Ordering Information

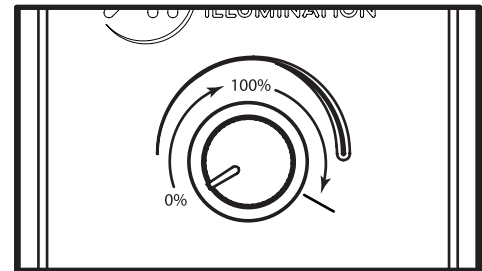
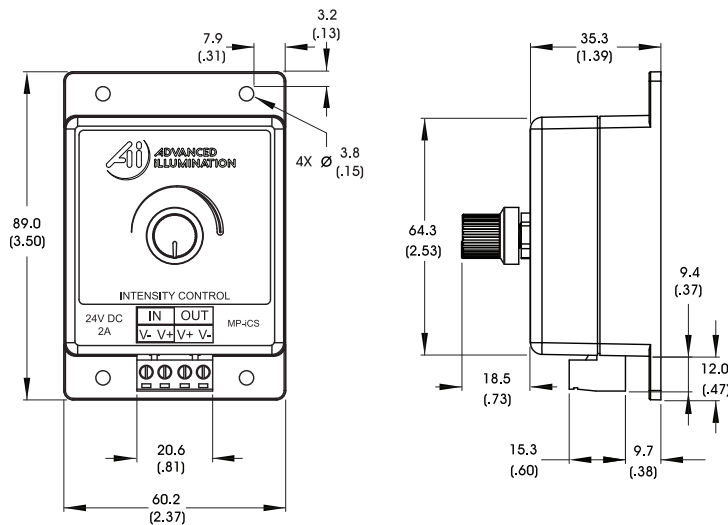
Stock Product: Shipped Next Day

**MP-iCS**

### Wiring Diagram



### Dimensional Information



Intensity Control Range

DIMENSIONS ARE IN MILLIMETERS (INCHES)

Note: The MP-iCS will not work with a light ordered with the 24v configuration. Lights must be ordered with the IC power option.

### General Specifications

Weight: 59.5 g (2.1 oz)  
Finish: ABS

Operating Temperature: 0-60 C°  
Meets Specifications: CE, RoHS