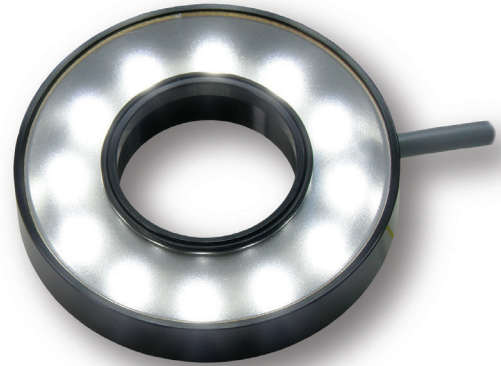



## Product Highlights

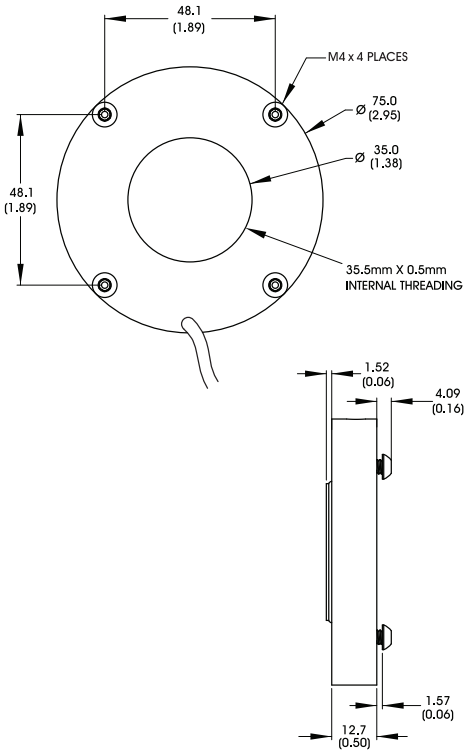
- 74.93mm (2.95") O.D ring light provides high intensity illumination
- Very low profile - only 14mm (.56")
- Optional adapter rings for camera lens mounting



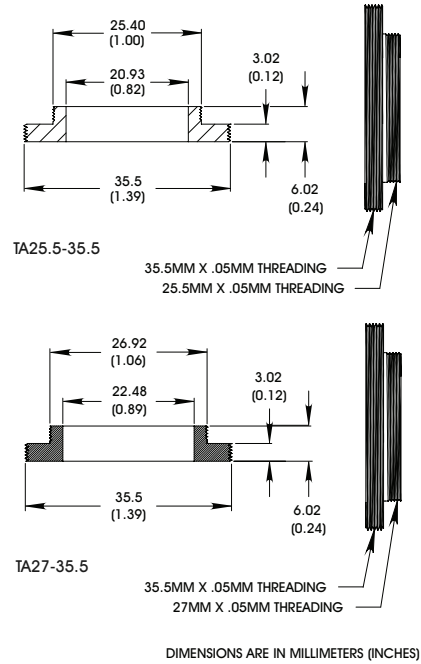
## General Specifications

Electrical Specifications	Color	24v Current	All Other Controls
	470, 625, WHI	0.3 A	0.27 A Max
Normal Operating Temperature	0 - 60°C		
Weight (g)	164 g (5.78oz)		
Standard Cable Information	Up to 2 meters (80") long - 105°C rated PVC jacket, foil shield with drain.		
Photobiological Risk Factor IEC 62471	Group 1 (Low-Risk) Applicable Wavelengths: 470, 625, WHI		
Compliance			
IP Rating	IP50		
Lumen Maintenance	L70 = 50,000 hours		

## Mechanical Specifications



### Threaded Ring Adapters (optional)



## Part Number Key

Model	—	Spectral Wavelength	Connector/Control	Optional Light Conditioning	—	Alternative Connector
RL121	—	XXX	XX	X	—	XXX
RL121		(blue) 470 (red) 625 (white) WHI	C1 C2 C5 IC I3 24v	D (diffuser) P (polarizer)		M12 <sup>1</sup>
Ex: RL121-470C5D RL121-WHI24P-M12			<sup>1</sup> Available with IC, I3 and 24v options only			

**Stock Product:** *shipped next day*  
 RL121-WHIIC

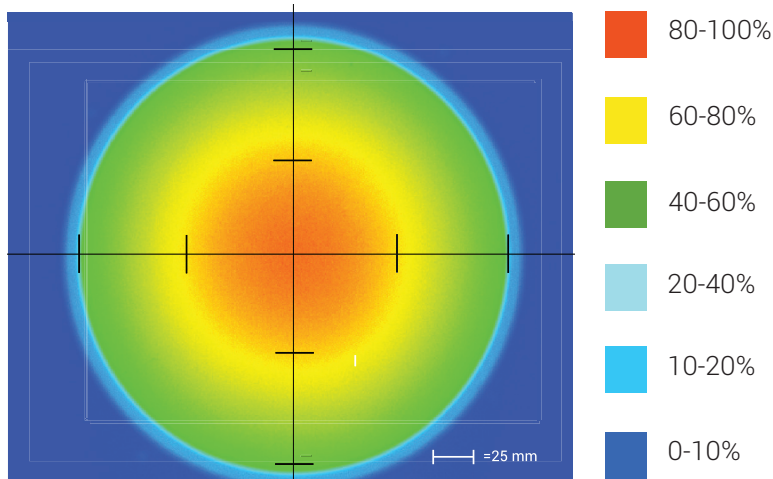
**Build to Order:** *shipped in two weeks*

## Connector | Control Options

C1 Connector	C2 Connector	C5 Connector	IC	I3	24
For use with: DCS Series Controllers	For use with: Legacy Controllers (Not recommended for new applications)	For use with: Pulsar 320 Strobe Controller.	Continuous in-line controller  Powered with: 24V power supply	Combination strobe/continuous in-line controller  Powered with: 24V power supply	Flying/tinned leads  Powered with: 24V power supply

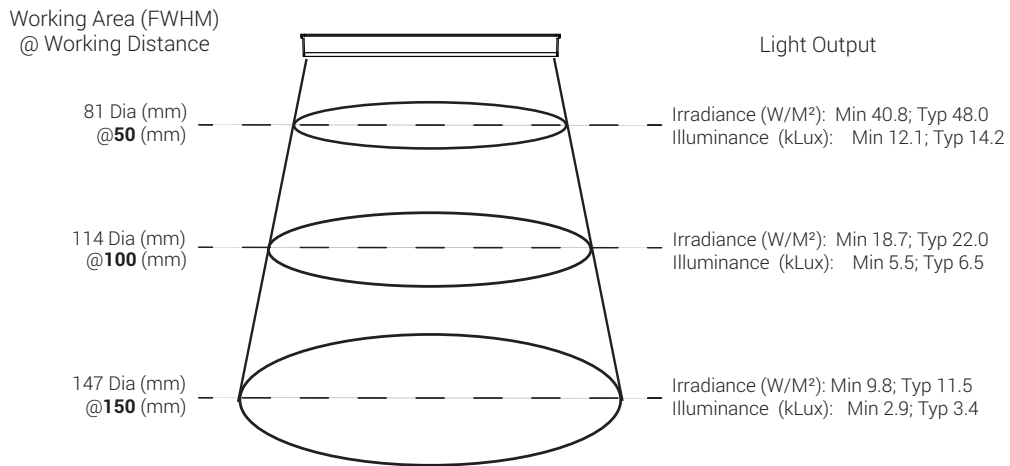
## Optical Performance

### Intensity Distribution



Optical measurement taken using RL121-WHIIC @ 100 mm

### Area of Illuminance & Intensity



## Operation and Wiring

### ICS 2 (IC)

Pin (M12)	Function	Wire Color
1	+24 VDC	Brown
2	GHI	White
3	GND	Blue
4	GLO	Black

### ICS 3 (I3)

Pin (M12)	Function	Wire Color
1	+24 VDC	Brown
2	Reserved	White
3	GND	Blue
4	PNP/Active High Trigger	Black
5	0-10 VDC Analog Control	Gray

### 24 Volt

Pin (M12)	Function	Wire Color
1	+24 VDC	Brown
2	N/A	White
3	GND	Blue
4	N/A	Black

### Optional M12 Pinout

