


Product Highlights

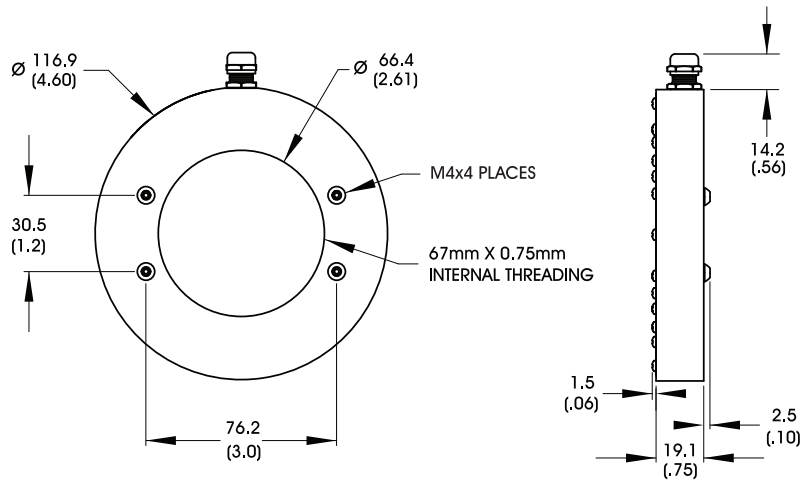
- Intense illumination in a compact (117mm Dia) housing
- IP67 Compliant design
- Axial light source designed for inspecting non-specular objects



General Specifications

Electrical Specifications	Color	24v Current	All Other Controls
	625	N/A	0.720 A Max
	470, WHI	0.65 A	0.585 A Max
Normal Operating Temperature	0 - 60°C		
Weight (g)	304 g (11 oz)		
Standard Cable Information	Up to 2 meters (80") long - 105°C rated PVC jacket, foil shield with drain.		
Photobiological Risk Factor IEC 62471	Group 1 (Low-Risk) Applicable Wavelengths: 470, 625, WHI		
Compliance			
IP Rating	IP67		
Lumen Maintenance	L70 = 50,000 hours		

Mechanical Specifications



DIMENSIONS ARE IN MILLIMETERS (INCHES)

Part Number Key

Model	—	Spectral Wavelength	Connector/ Control	Optional Light Conditioning	—	Alternative Connector
RL127	—	XXX	XX	X	—	XXX
RL127		(blue) 470 (red) 625 ² (white) WHI	C1 C2 C5 IC I3 24v	D (diffuser) P (polarizer)		M12 ¹
Ex: RL127-470C5D RL127-WHI24P-M12				¹ Available with IC, I3 and 24v options only ² Not available in 24v		

Stock Product: *shipped next day*
RL127-WHIIC

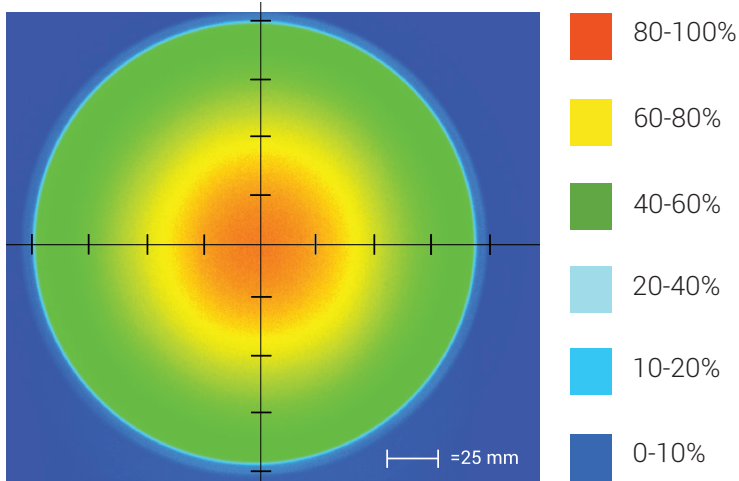
Build to Order: *shipped in two weeks*

Connector | Control Options

C1 Connector	C2 Connector	C5 Connector	IC	I3	24
For use with: DCS Series Controllers	For use with: Legacy Controllers (Not recommended for new applications)	For use with: Pulsar 320 Strobe Controller.	Continous in-line controller Powered with: 24V power supply	Combination strobe/continous in-line controller Powered with: 24V power supply	Flying/tinned leads Powered with: 24V power supply

Optical Performance

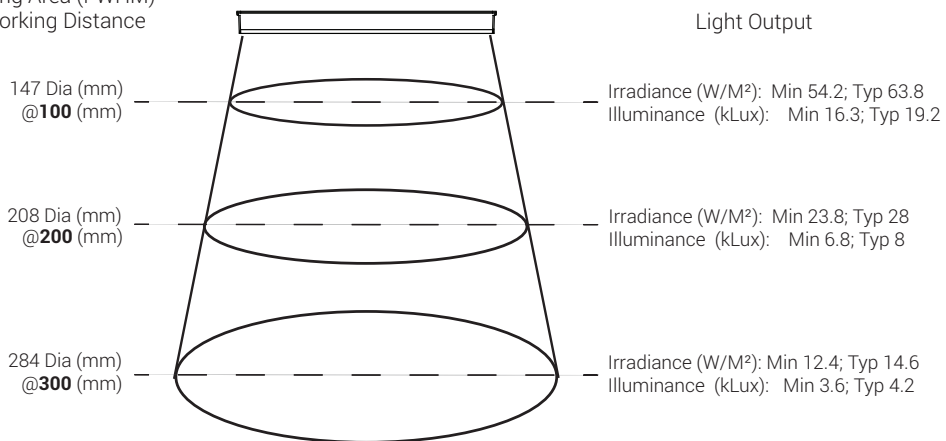
Intensity Distribution



Optical measurement taken using RL127-WHIIC @ 200 mm

Area of Illuminance & Intensity

Working Area (FWHM)
@ Working Distance



Operation and Wiring

ICS 2 (1C)

Pin (M12)	Function	Wire Color
1	+24 VDC	Brown
2	GHI	White
3	GND	Blue
4	GLO	Black

ICS 3 (13)

Pin (M12)	Function	Wire Color
1	+24 VDC	Brown
2	Reserved	White
3	GND	Blue
4	PNP/Active High Trigger	Black
5	0-10 VDC Analog Control	Gray

24 Volt

Pin (M12)	Function	Wire Color
1	+24 VDC	Brown
2	N/A	White
3	GND	Blue
4	N/A	Black

Optional M12 Pinout

