

B1020



IMPERX: Technically superior products, full tech support, rapid-response customer care. "Bobcat 2.0" adds many new features, lens control, more memory and enhanced image quality. Each easy to use Bobcat is supported by IMPERX professionals.

INTERFACES AVAILABLE:

Resolution
 Sensor
 Sensor Format

Pixel Size
 Frame Rate Standard Clock
 Frame Rate Overclocked
 Maximum Frame Rate
 Minimum S/N Ratio
 Output Format

Analog Gain Control
 Black Level Control
 Digital Gain and Offset
 RGB Gain and Offset
 White Balance
 Shutter Speed
 Exposure Control
 Long Integration
 Regions of Interest (ROI)
 Binning H/V
 Trigger Inputs

Trigger Options

Trigger Modes

Double Trigger (PIV) Interframe
 External Inputs/Outputs
 Strobe Output
 RS232 Interface
 Pulse Generator
 Image Overlay
 Image Enhancement

Internal DDR Memory
 On Board FIFO (GEV & PoE)
 Gamma Correction
 Data Corrections

Minimum Illumination
 Lens Mount
 Video Iris Control
 Iris, Zoom Focus Control
 Supply Input Range
 Power Consumption
 Size – Width/Height
 Size – Length

Weight
 Vibration, Shock
 Environmental
 Humidity
 MTBF
 Regulatory

Camera Link® Base (PoCL), GigE Vision, PoE, CoaXPress
 1024 x 1024 (std.), 1032 x 1032 (max.)

KAI-01050, CCD
 5.67mm (H) x 5.67mm (V) 7.96mm diagonal,
 1/2" optical format

5.5 μ m
 40 MHz / 59 fps
 50 MHz / 74 fps
 338 fps
 60dB
 Mono CCD: 8, 10, 12, 14-bit (Single only)
 Color CCD: 8, 10, 12

Manual, Auto: 0 - 36dB 1024 steps
 Manual, 1024 steps

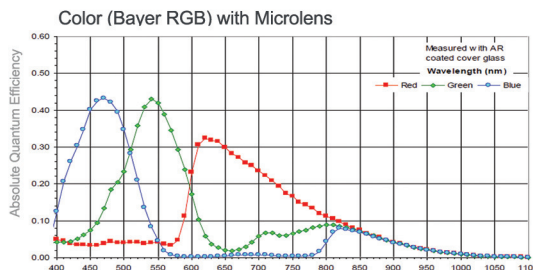
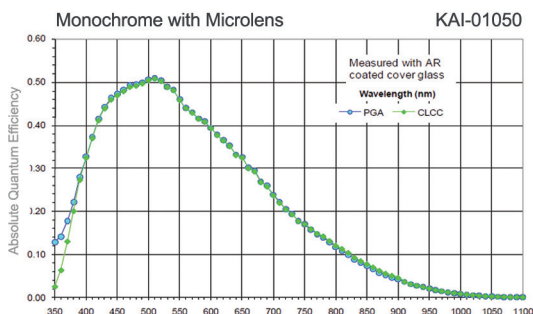
Manual
 Manual, auto, off
 1us/step, 1/500,000 to 1/60 sec (nom)
 Manual, auto, external
 Up to 16 seconds

7 ROIs, any line to any line, any pixel to any pixel
 1x, 2x, 3x, 4x, 8x (Independent for H & V)
 External (TTL via IN1/IN2), pulse generator,
 software, computer

Level, edge, pulse width, internal exposure,
 up to 16 seconds trigger delay, debounce
 Free-run, standard, double, fast, asynchronous,
 frame accumulation

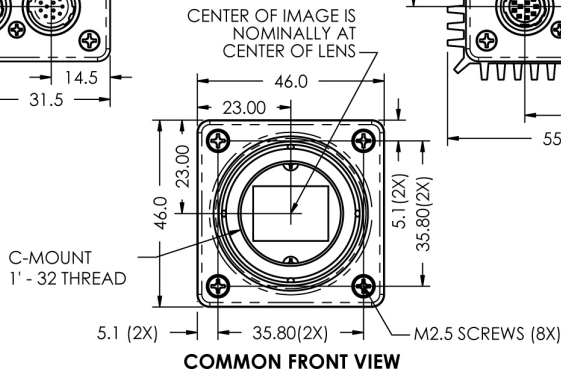
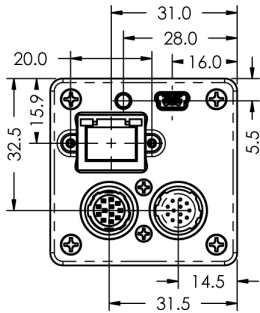
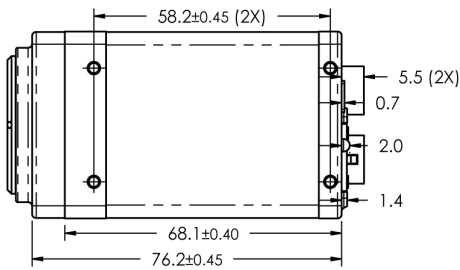
Time: 200 nanoseconds
 2 IN, 2 OUT, user programmable
 2 strobes, programmable position and duration
 Yes, programmable
 Yes, programmable
 Optical center, programmable H & V lines
 Threshold, contrast enhancement, knee correction,
 horizontal flip, negative image, bit shift (+/- 7 places)
 2Gb (256 MB)
 1Gb (128 MB)
 G=1.0, G=0.45, user upgradeable LUT
 Defective/hot pixel correction (static, dynamic),
 black level, vertical smear

1 Lux, F/ 1.4
 C-Mount (Default), CS
 Auto, programmable
 Manual, user programmable
 12VDC (10V - 15V), 1.5 A inrush
 CLB 3.3 W, GEV 4.7w, PoE 5.9W, CXP TBD
 46mm (W) x 46mm (H) – Applies to all interfaces
 CLB 58.3mm (L), GEV 76.2mm (L), PoE 89.8mm (L),
 CXP 65.8mm (L)
 CLB 165g, GEV 233g, PoE 343g, CXP 223g
 100g (20-200) HZ XYZ, 1000g
 -40°C to +85°C Operating, -50°C to +90°C Storage
 10% to 90% non-condensing
 >660,000 hours @ 40°C (Telcordia SR-332)
 FCC 15 part A, CE, RoHS



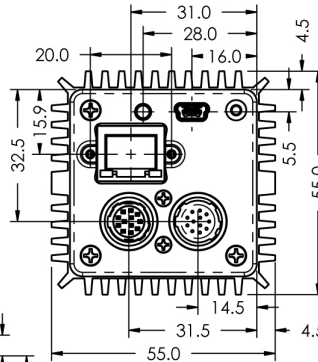
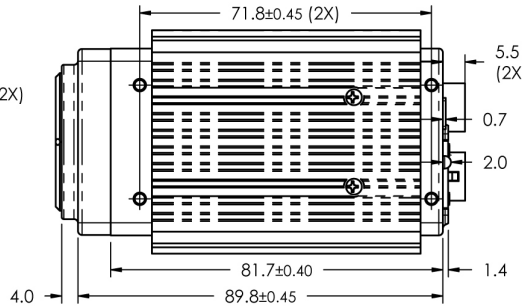
BOBCAT 2.0 B1020 Specifications

GigE Vision(Without PoE)



COMMON FRONT VIEW

GigE Vision(With PoE)



B1020 Ordering Information

Interfaces available
 Camera Link® Base (CLB)
 GigE Vision (GEV / PoE)
 CoaXPress (CXP)

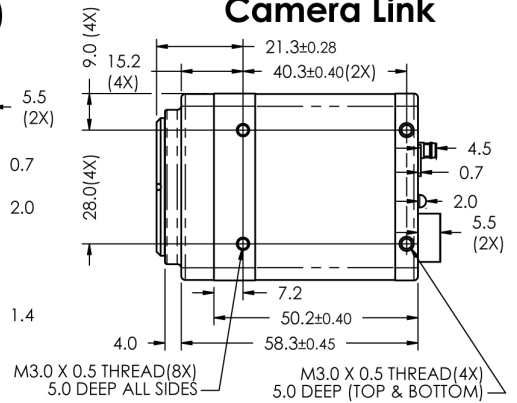
Sensor types available
 Monochrome
 Bayer Color

Accessories (Sold separately)
 PS12v04-Power Supply w/ 1 input
 and 1 output
 PS12v05-Power Supply (as above)
 and Video Iris



WWW.IMPERX.COM

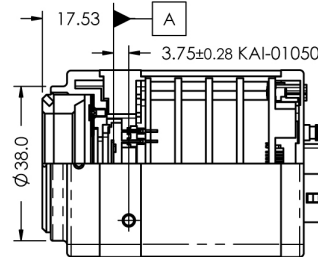
Camera Link



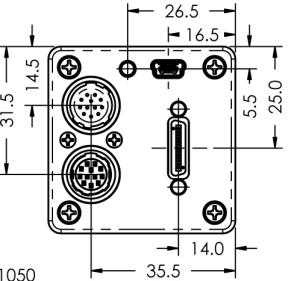
M3.0 X 0.5 THREAD(8X)
5.0 DEEP ALL SIDES

M3.0 X 0.5 THREAD(4X)
5.0 DEEP (TOP & BOTTOM)

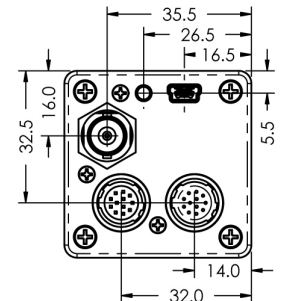
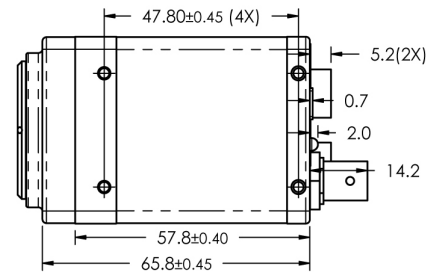
NOTE: DATUM "A" REFERS TO THE IMAGING PLANE (TOP OF IMAGING DIE)



COMMON IMAGE PLANE DISTANCE



CoaXPress



Hirose Connectors

Power and I/O Interface



- | | |
|-------------------|-----------------|
| 1 12V DC Return * | 7 OUT1 Signal |
| 2 +12V DC* | 8 IN1 Signal |
| 3 IRIS VCC | 9 IN2 Signal |
| 4 IRIS Video | 10 IN1/2 Return |
| 5 IRIS Return | 11 Reserved |
| 6 OUT1/2 Return | 12 OUT2 Signal |

*Not connected for CXP
 Connector: Hirose HR 10A- 10R- 12PB(71)

Lens Control/RS232

See manual for PIN information



- | | |
|---------------|-------------|
| 1 IRIS Return | 7 FOCUS + |
| 2 IRIS VCC | 8 ZOOM - |
| 3 IRIS Video | 9 ZOOM + |
| 4 IRIS - | 10 UART_COM |
| 5 IRIS + | 11 UART_RX |
| 6 FOCUS - | 12 UART_TX |

Connector: Hirose HR 10A- 10R- 12SB(71)

Quality Management System ISO 9001:2008 Registered
 Environmental Management System ISO 14001:2004 Registered
 DDTC Registered (Directorate of Defense Trade Controls, US Department of State)



bobcat-B1020, Rev1