

❖ SW-2001Q-CL

4 CCD RGB/NIR Line Scan Camera



- 4 CCD line scan camera with Camera Link output
- Dichroic RGB/NIR beam splitter prism with 4 sensors
- 4 sensors with 2048 pixels, 14 μm x 14 μm pixel size
- 28.7 mm sensor scanning width
- Scan rate up to 19048 lines per second at 40 MHz pixel clock
- Supports 4 x 8-bit or 4 x 10-bit output over Camera Link interface
- No-shutter, shutter select, and pulse width (PWC) trigger modes
- One-push auto white balance
- Flat field correction (pixel gain) and shading correction
- LUT/gamma correction
- Available with M52 mount or Nikon F-mount

Specifications for SW-2001Q-CL

Sweep+ Series

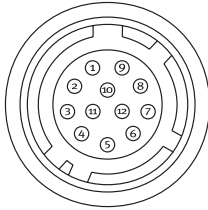
Specifications	SW-2001Q-CL
Scanning system	CCD line sensors with internal clock
Pixel clock	40.00 MHz
Line rate	No shutter mode: 19 kHz - 18.6 Hz Shutter select mode: 18.6 kHz - 18.6 Hz PWC mode: 18.6 kHz - 2 sec
Sensor scanning width	28.672 mm
Cell size	14 μm x 14 μm
Active pixels	4 sensors: 4 x 2048 (h) mounted on RGB/NIR beam splitter prism
Object illuminance (std.)	RGB: 2800 lx (7800K white LED light) (Gain 0 dB, 600 μs line rate, f2, 100% video on G) NIR: 20 μW/cm ² @ 800 nm
Responsivity	56 V/μJ/cm ² (@ 600 nm)
S/N ratio	58 dB on green with gain = 0 dB
Video output	4 x 8-bit or 4 x 10-bit through Camera Link medium configuration
Gain	Master mode: G: -3 dB to +12 dB R/B/NIR: -6 dB to +6 dB Individual mode: R/G/B/NIR: -9 dB to +18 dB
White balance	Manual, preset, or one-push Adjustable range: 4000 K to 9000 K Preset: 4000 K, 4600 K, 5600K
Image correction	Flat-field (PRNU/DSNU), flat shading, color shading, LUT/gamma correction, noise reduction
Input signal	Trigger (Camera Link, TTL/75Ω)
Output signal(s)	LVAL, FVAL, DVAL, EEN, XEEN (TTL)
Synchronization	Internal clock
Trigger modes	No-shutter, shutter select, and pulse width control
Programmable exposure	2.0 μs to 53.76 ms in 25 ns increments
Pulse width control	2 μs - 2 sec (via Camera Link) 50 μs - 2 sec (via 12-pin connector)
Control interface	Camera Link RS-232C
Lens mount	M52-mount or Nikon F-mount
Operating temperature	-5°C to +45°C/20 - 80% non-condensing
Storage temp./humidity	-25°C to +60°C/20 - 80% non-condensing
Vibration	3G (20Hz to 200Hz, XYZ direction)
Shock	50G
Regulations	CE (EN61000-6-2, EN61000-6-3) IEC61000-4-2 Conforming level 4 FCC Part 15 Class B, RoHS/WEEE
Power	12V to 24V DC ± 10%. 1300 mA typical at +12V
Power consumption	15.6 W typical at +12V
Dimensions (H x W x D)	90 mm x 90 mm x 120 mm (without connector and lens mount protrusion)
Weight	1050 g

Ordering Information

SW-2001Q-CL-M52	4 CCD RGB/NIR Line Scan Camera. M52 mount.
SW-2001Q-CL-F	4 CCD RGB/NIR Line Scan Camera. F-mount.

Connection Pin-out

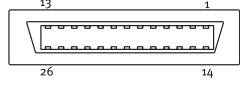
DC In / Trigger



HIROSE HR10A-10R-12PB-71

Pin 1 Ground
2 +12V to +24V DC
3 Ground
4 Reserved
5 Ground
6 RXD RS 232C*
7 TXD RS 232C*
8 Ground
9 XEEN output
10 Trigger input (TTL)*
11 DC in +12V to +24V
12 Ground

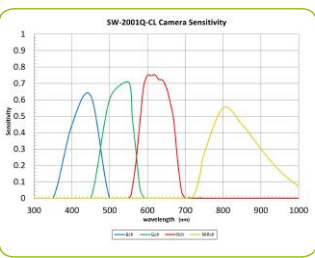
Camera Link Interface



Pin	Signal	Function	
1	14	GND	
2	15	Xo-/Xo+	CL Data
3	16	X1-/X1+	CL Data
4	17	X2-/X2+	CL Data
5	18	Xclk-/Xclk+	CL Clk
6	19	X3-/X3+	CL Data
7	20	SerTC+/SerTC-	Serial in *
8	21	SerTFG-/SerTFG+	Serial out *
9	22	CC1-/CC1+	Trigger *
10	23	CC2+/CC2-	Reserved
11	24	CC3-/CC3+	Not used
12	25	CC4+/CC4-	Not used
13	26	GND	

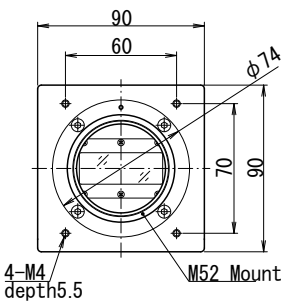
* In Camera Link or 12 pin Hirose
Note:
Camera Link base configuration shown.
For medium configuration refer to Camera Link specifications or operation manual.

Spectral Response

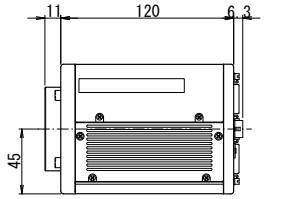


Dimensions

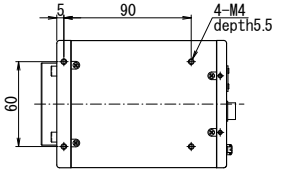
Front view



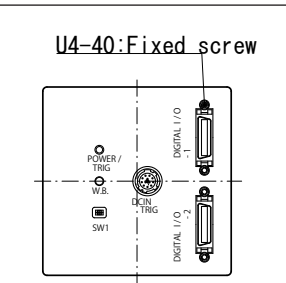
Side view



Bottom view



Rear view



Company and product names mentioned in this datasheet are trademarks or registered trademarks of their respective owners. JAI AS cannot be held responsible for any technical or typographical errors and reserves the right to make changes to products and documentation without prior notification.

Europe, Middle East & Africa Phone +45 4457 8888 Fax +45 4491 8880	Asia Pacific Phone +81 45 440 0154 Fax +81 45 440 0166	Americas Phone (Toll-Free) 1 800 445 5444 Phone +1 408 383 0300
---	---	--

Visit our web site on www.jai.com